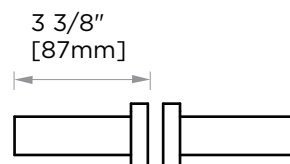


MADRID COLLECTION DOUBLE SHOWER DOOR HANDLE

8" 2627808
12" 2627812
18" 2627818
24" 2627824



PRODUCT NAME: DOUBLE SHOWER
DOOR HANDLE

PRODUCT CODE: 8" 2627808
12" 2627812
18" 2627818
24" 2627824

MATERIAL: All-brass construction

KEY FEATURES: Contemporary design.
Simple and straight forward lines.
Strong linear silhouette.

STOCKED FINISHES:

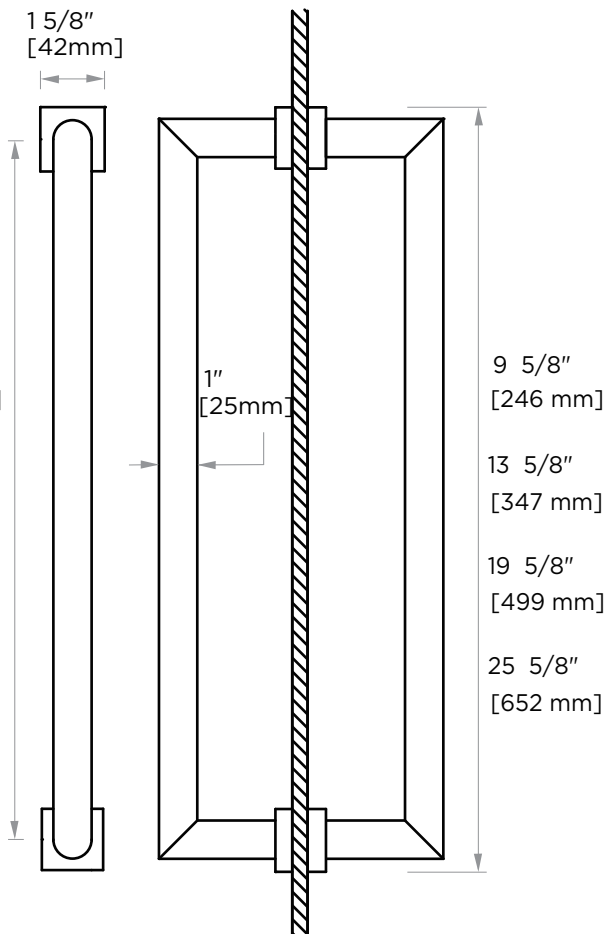
STOCKED FINISH	8"	12"	18"	24"
● Polished Chrome (99)	●	●	●	●
● Brushed Nickel(81)	●	●	●	●
● Polished Nickel(68)	●	●	●	●
● Matte Black (48)	●	●	●	●

**SPECIAL
FINISHES
AVAILABLE:**

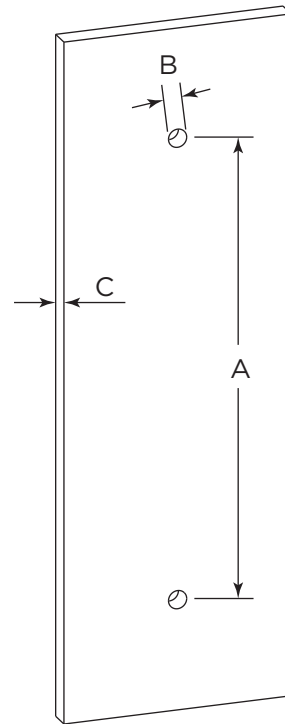
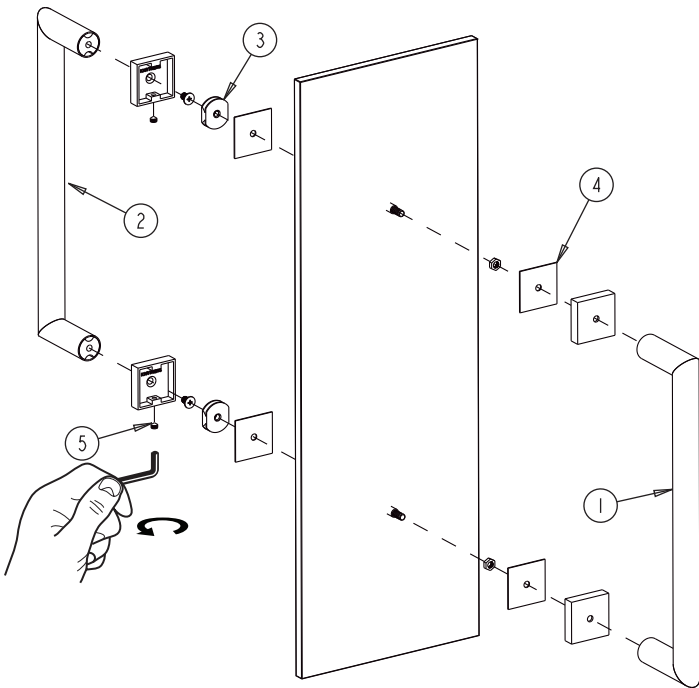
Please see our website for
full list samples

WARRANTY:

Lifetime Limited (Residential Use)
One Year (Commercial Use)




NOTE: Dimensions and specifications are subject to change without notice.



HANDLES INFO

Components Included		
①	Handle A	X1
②	Handle B	X1
③	Fixing Bracket	X2
④	Rubber Gasket	X4
⑤	Set Screw M6	X2

Mounting Kits Included

	X1	Allen Key
---	----	-----------

GLASS INFO

Glass Hole C-C Distance		
A	8"/203mm	8" Shower Door Handle
	12"/305mm	12" Shower Door Handle
	18"/457mm	18" Shower Door Handle
	24"/610mm	24" Shower Door Handle
B	1/2"(12mm)	Glass Hole Diameter
C	8-12mm	Glass Thickness

* Can be used with extension kit for thicker doors

NOTE: Dimensions and specifications are subject to change without notice.