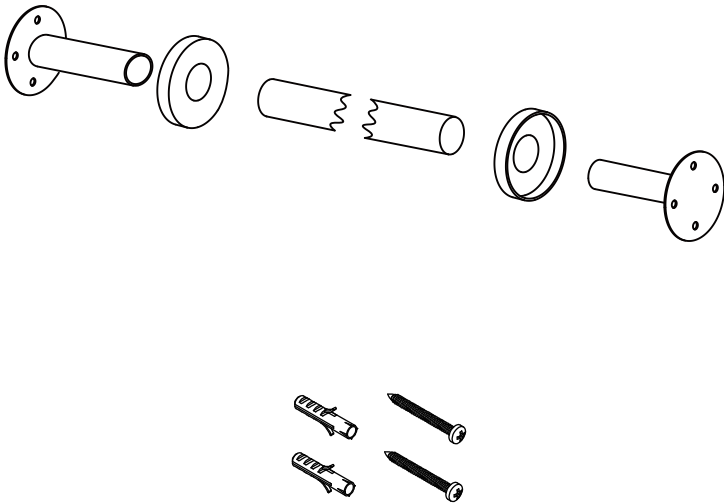
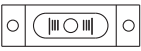
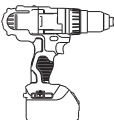

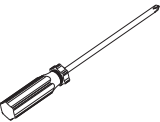



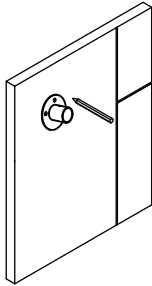
## SHOWER RODS STRAIGHT & ROUND

5' KSR-5PC

6' KSR-6PC

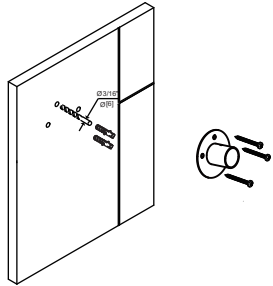


Tools required for installation		
		
Level	Drill	Pencil
		
Screwdriver	Hammer	



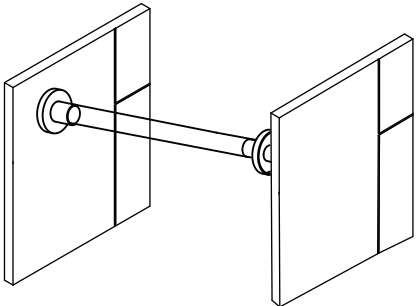
**Step 1**

Position one side back plate against the wall and mark outline with pencil.



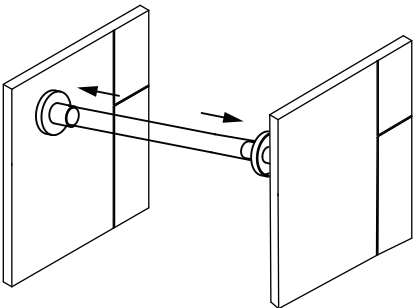
**Step 2**

Predrill 3/16" holes on the wall to fit wall plugs, fix the plate onto the wall, make sure the post hole on the top.



**Step 3**

Install the other plate onto the wall, and slid two backings into the plate, make sure the 2 holes on the top.



**Step 4**

Press the 2 backings onto the plates, make sure the backing would not fall off from the plate.