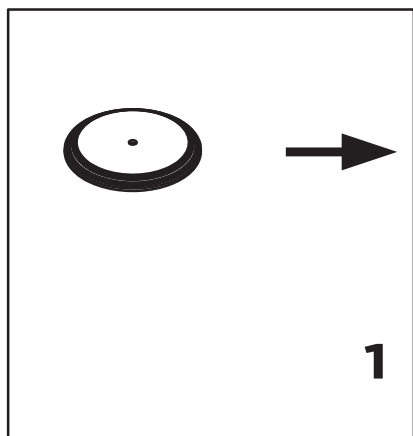
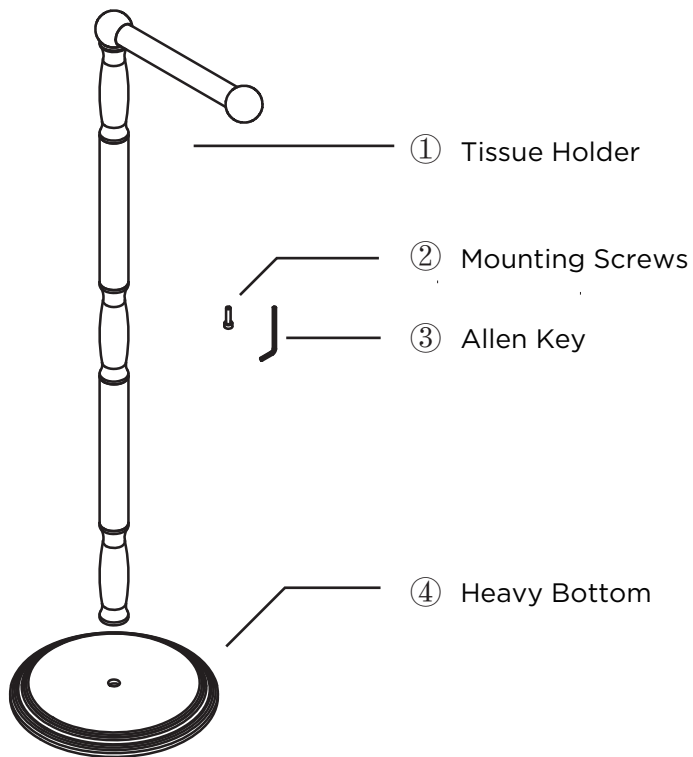
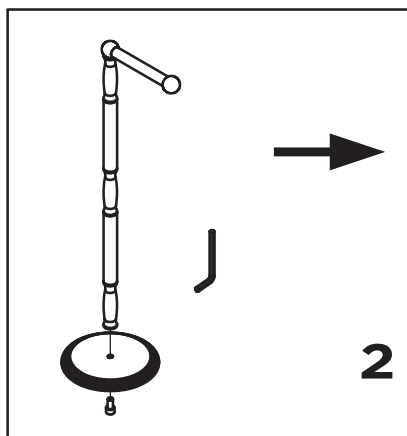


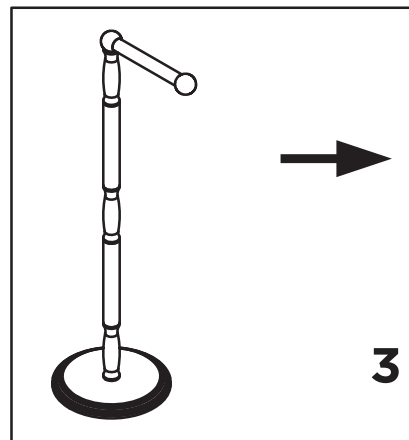
## FREE STANDING TOILET PAPER HOLDER KFS-FL-TP



Take out part 4.



Align the tissue holder to the mounting holes on the bottom part, and use the Allen key to screw through from the back of the bottom and tighten it.



Finish assembling.