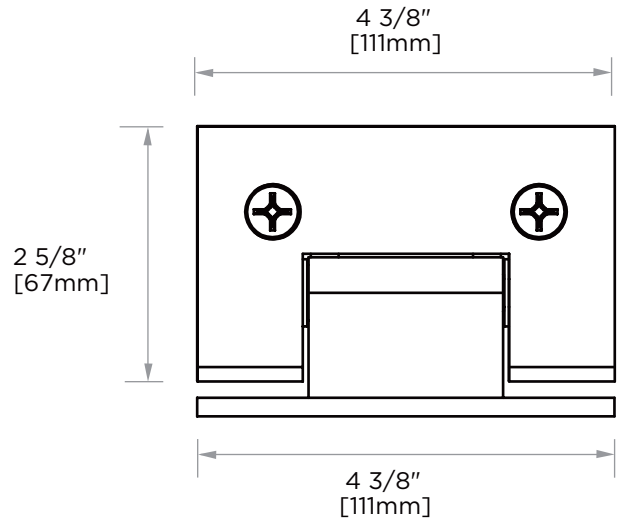




CHESTER SERIES
WALL MOUNT HINGE
56034



PRODUCT NAME: WALL MOUNT HINGE

PRODUCT CODE: 56034

MATERIAL: All-brass construction

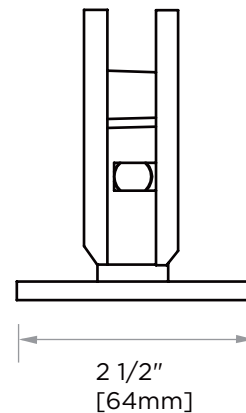
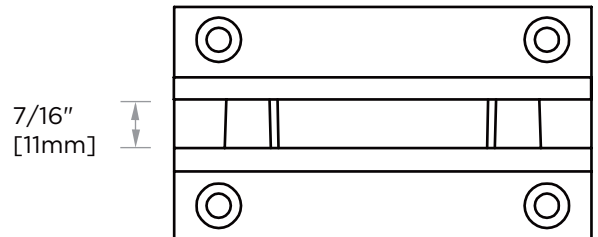
KEY FEATURES: Heavy Duty Shower Hinge.
Glass to wall.
Full back.

FINISHES: ● Polished Chrome (99)

SPECIAL FINISHES AVAILABLE: Please see our website for full list samples

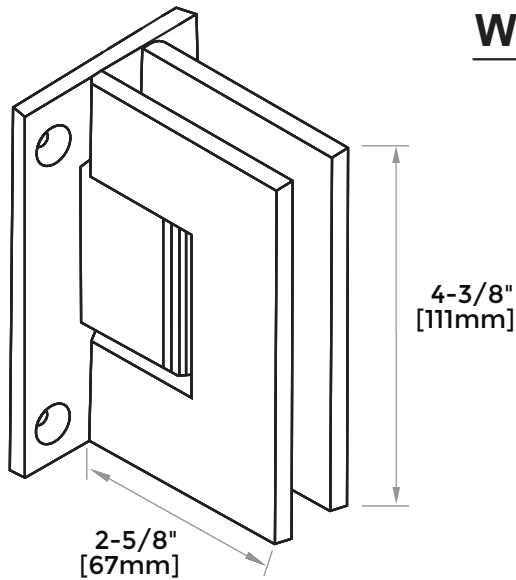
WARRANTY:

Lifetime Limited (Residential Use)
Three Years (Commercial Use)



NOTE: Dimensions and specifications are subject to change without notice.

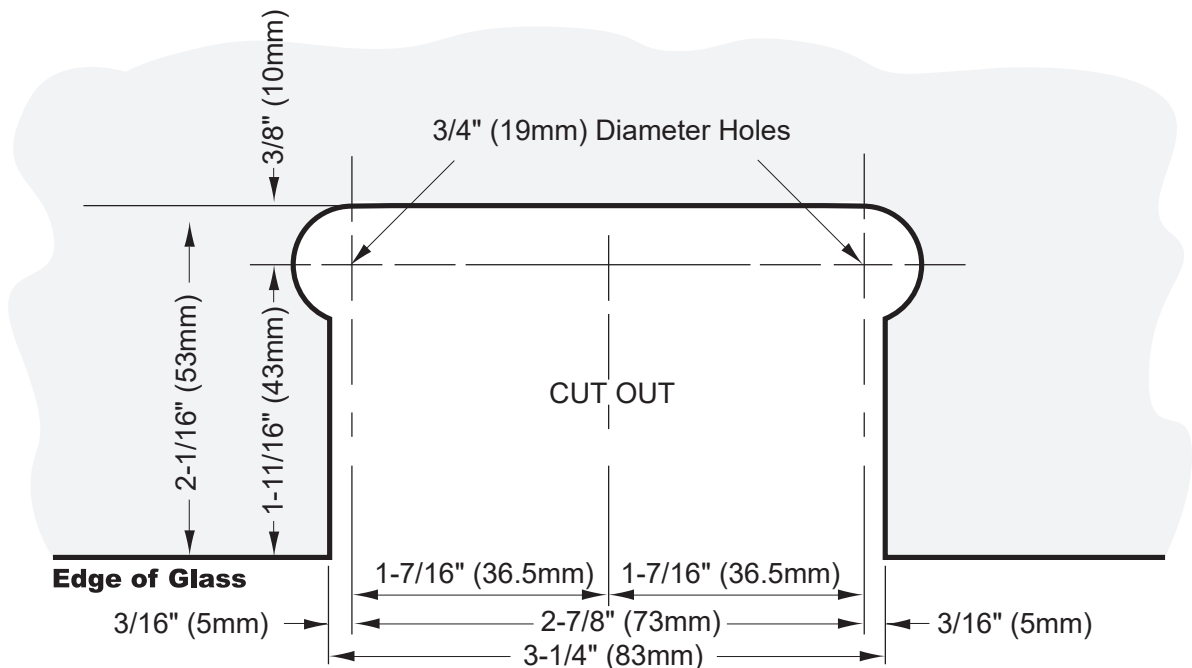
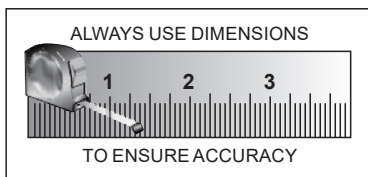
WALL MOUNT BACK PLATE HINGE



Maximum Door Capacities	Glass Thickness 3/8" (10mm) to 1/2" (12mm)	
	Maximum Door Weight	Maximum Door Width
2 Hinges	140 lbs (64kg)	39" (991mm)

*NOTE: When selecting the appropriate quantity of hinges, it is essential to avoid exceeding the specified weight or width limits. By staying within these guidelines, you can ensure optimal functionality and prevent any potential issues or hazards.

WALL MOUNT BACK PLATE HINGE



NOTE: Dimensions and specifications are subject to change without notice.