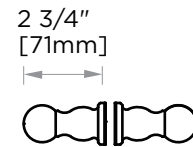




FLORENCE COLLECTION DOUBLE SHOWER DOOR HANDLE

8" 3227808
12" 3227812
18" 3227818
24" 3227824



PRODUCT NAME: DOUBLE SHOWER
DOOR HANDLE

PRODUCT CODE: 8" 3227808
12" 3227812
18" 3227818
24" 3227824

MATERIAL: All-brass construction

KEY FEATURES: Traditional design.
Round and elegant style.

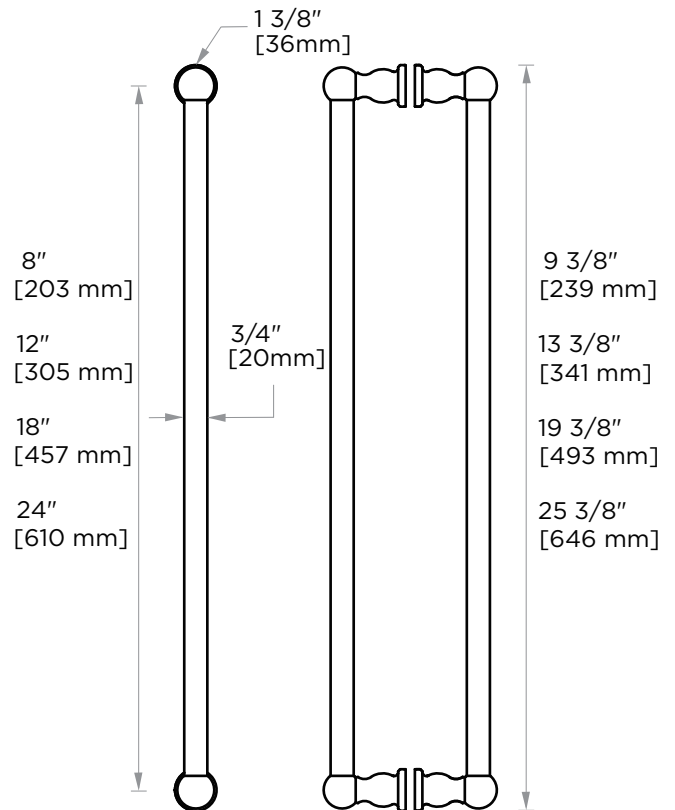
STOCKED FINISHES:

STOCKED FINISH	8"	12"	18"	24"
Polished Chrome (99)				
Brushed Nickel(81)				
Polished Nickel(68)				

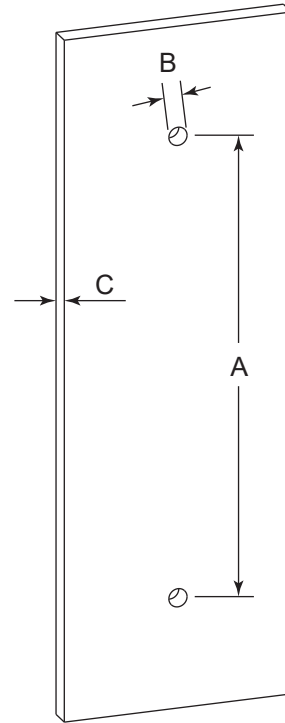
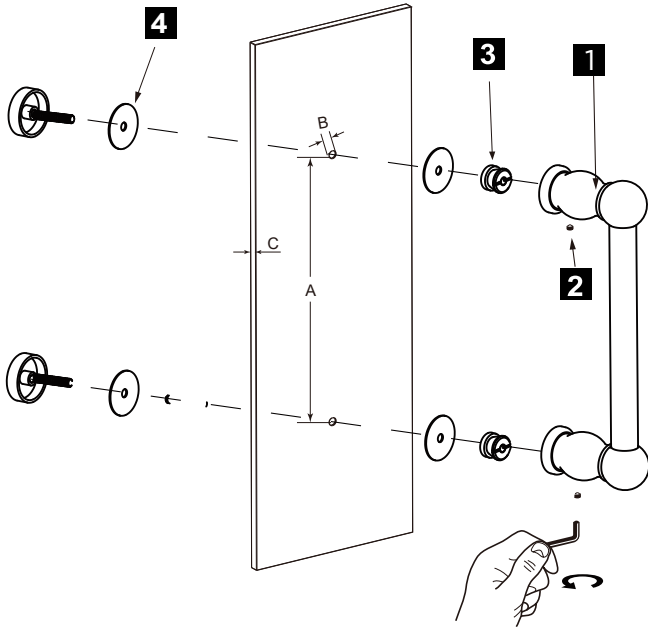
SPECIAL FINISHES AVAILABLE: Please see our website for full list samples

WARRANTY:

Lifetime Limited (Residential Use)
One Year (Commercial Use)



NOTE: Dimensions and specifications are subject to change without notice.



HANDLES INFO

Components Included		
①	Handle	X1
②	Set Screw M6	X2
③	Fixing Bracket	X2
④	Rubber Gasket	X4

Mounting Kits Included		
	X1	Allen Key

GLASS INFO

Glass Hole C-C Distance		
A	8"/203mm	8" Shower Door Handle
	12"/305mm	12" Shower Door Handle
	18"/457mm	18" Shower Door Handle
	24"/610mm	24" Shower Door Handle
	36"/914mm	36" Shower Door Handle
B	1/2" (12mm)	Glass Hole Diameter
C	6-12mm	Glass Thickness

* Can be used with extension kit for thicker doors

NOTE: Dimensions and specifications are subject to change without notice.