

CIRCO KNURLED COLLECTION DOUBLE SDH

- 8" 3667808
- 12" 3667812
- 18" 3667818
- 24" 3667824

PRODUCT NAME: DOUBLE SDH

PRODUCT CODE: 8" 3667808
12" 3667812
18" 3667818
24" 3667824

MATERIAL: All-brass construction

KEY FEATURES: Contemporary design with solid bold rectangular geometry.

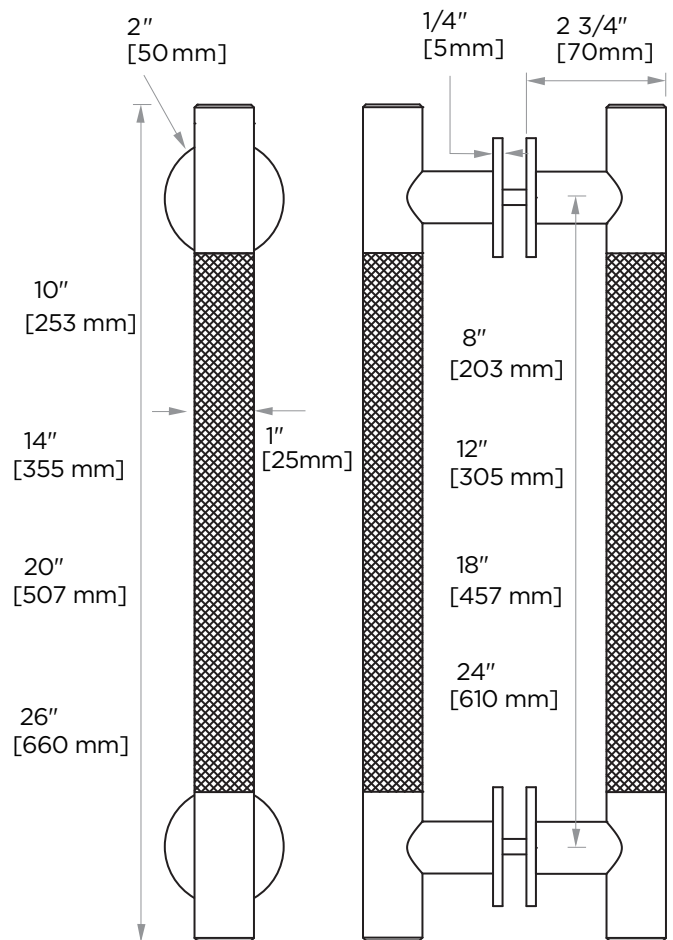
STOCKED FINISHES:

STOCKED FINISH	8"	12"	18"	24"
● Polished Chrome (99)	●	●	●	●

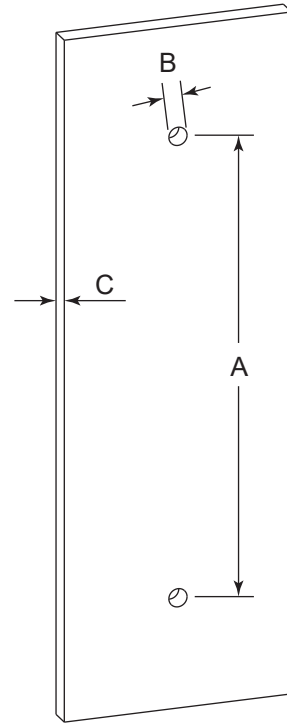
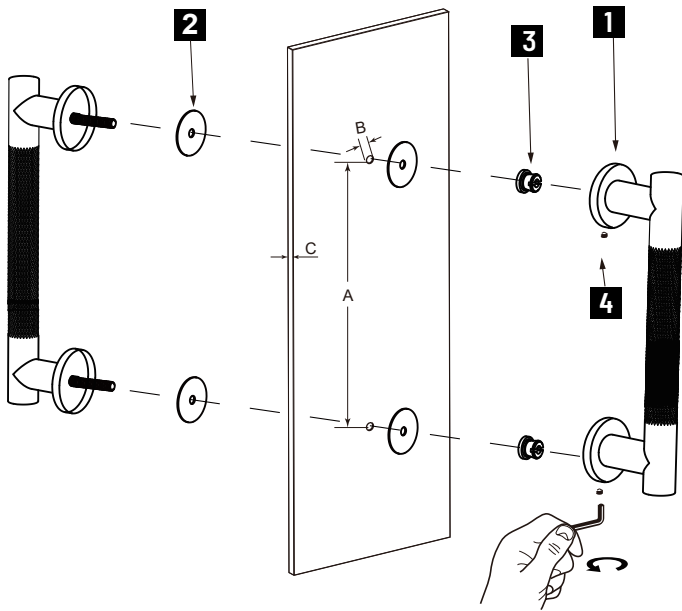
SPECIAL FINISHES AVAILABLE: Please see our website for full list samples

WARRANTY:

Lifetime Limited (Residential Use)
One Year (Commercial Use)



NOTE: Dimensions and specifications are subject to change without notice.



HANDLES INFO

Components Included		
①	Handle	X2
②	Rubber Gasket	X4
③	Fixing Bracket	X2
④	Set Screw M6	X2

Mounting Kits Included		
	X1	Allen Key

GLASS INFO

Glass Hole C-C Distance		
A	8"/203mm	8" Shower Door Handle
	12"/305mm	12" Shower Door Handle
	18"/457mm	18" Shower Door Handle
	24"/610mm	24" Shower Door Handle
	36"/915mm	36" Shower Door Handle
B	1/2" (12mm)	Glass Hole Diameter
C	6-12mm	Glass Thickness

* Can be used with extension kit for thicker doors

NOTE: Dimensions and specifications are subject to change without notice.