



ASHFORD SERIES
Wall Mount Short Back Plate Hinge
54032

PRODUCT NAME: ASHFORD - Wall Mount Short Back Plate Hinge

PRODUCT CODE: 54032

MATERIAL: All-brass construction

KEY FEATURES: Standard Shower Hinge.
Glass to wall.
Short back.
Beveled.

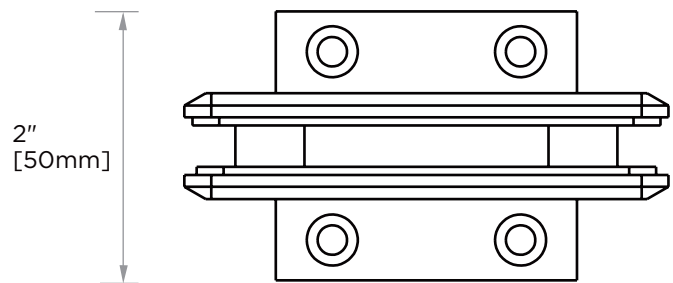
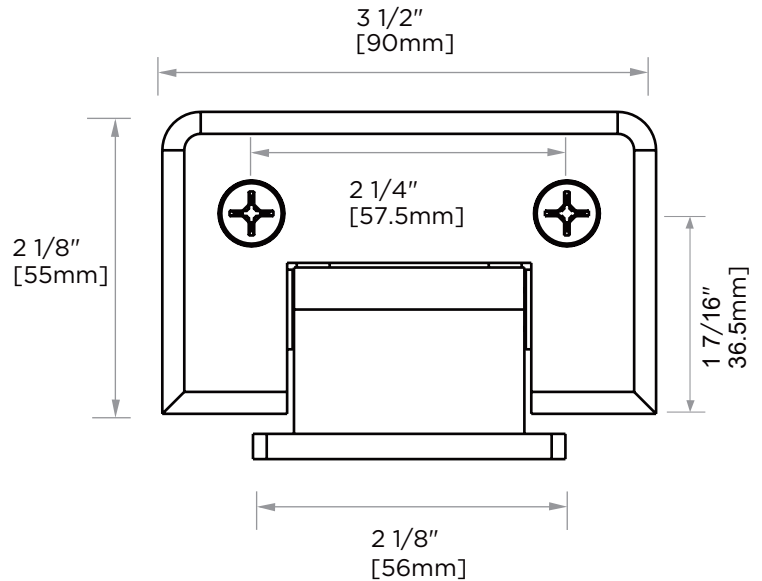
FINISHES:

- Polished Chrome (99)
- Brushed Nickel (81)
- Matte Black (48)
- Brushed Brass (78)

SPECIAL FINISHES AVAILABLE: Please see our website for full list samples

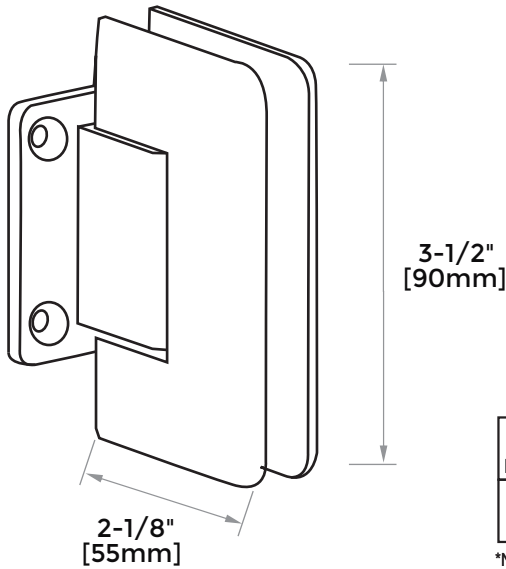
WARRANTY:

Lifetime Limited (Residential Use)
One Year (Commercial Use)



NOTE: Dimensions and specifications are subject to change without notice.

WALL MOUNT BACK PLATE HINGE



SPECIFICATIONS

For 8mm (5/16") to 12mm (1/2") glass
 -use 2 hinges, having a maximum weight of 80 lbs (36kg), and a width of 28"(711mm).
 -use 3 hinges, having a maximum weight of 120 lbs (54kg), and a width of 32" (813mm).

CAUTION

For public safety, we recommend only using tempered or safety glass.
 (But verify with local building codes.)

DO NOT USE POWER TOOLS FOR MOUNTING THESE HINGES

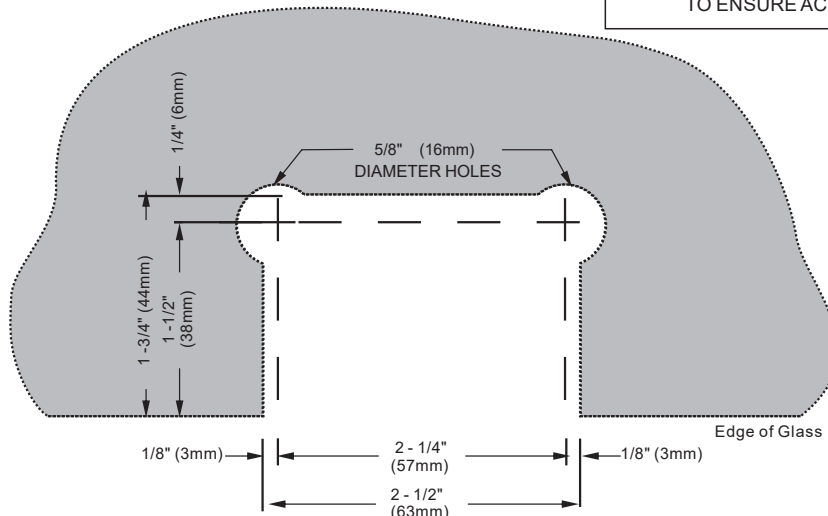
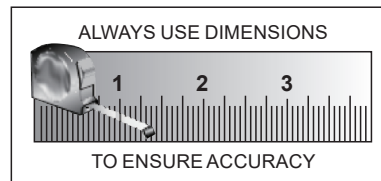
CLEANING

See reverse side for instructions

| *Maximum Door Capacities | 5/16"(8mm)and3/8"(10mm) Glass | | 1/2" (12mm) Glass | |
|--------------------------|-------------------------------|------------|-------------------|------------|
| | weight | width | weight | width |
| Using 2 Hinges | 80lbs.(36kg) | 28"(711mm) | 80lbs.(36kg) | 28"(711mm) |
| Using 3 Hinges | 120lbs.(54kg) | 32"(813mm) | 120lbs.(54kg) | 32"(813mm) |

*NOTE: Do not exceed either maximum weight or width when choosing proper quantity of hinges

WALL MOUNT BACK PLATE HINGE



NOTE: Dimensions and specifications are subject to change without notice.