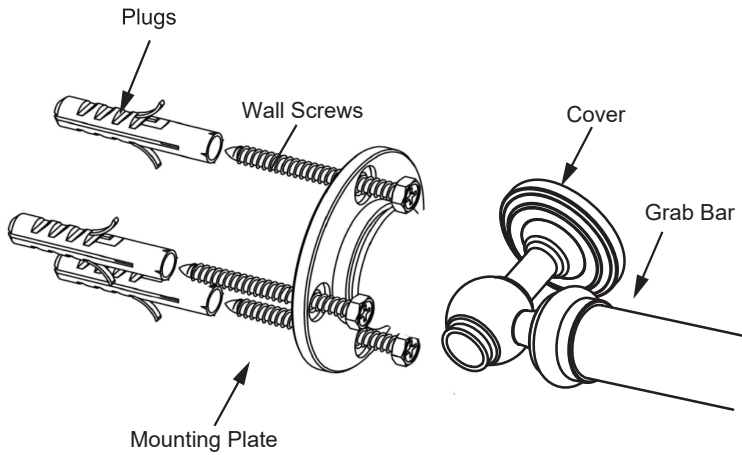


TRADITIONAL SERIES

GRAB BAR

- 12" 8389112K
- 18" 8389118K
- 24" 8389124K
- 36" 8389136K
- 42" 8389142K



Tools required for installation

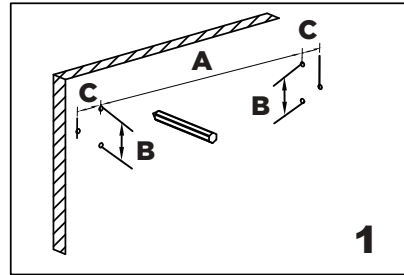
Level Pencil Wrench

Screwdriver Drill Hammer

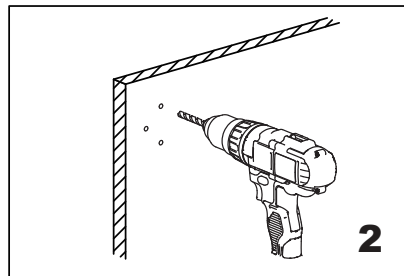
A=Plate TOP holes center to center distance
 B=Plate TOP hole to BOTTOM hole distance
 C=Plate TOP/BOTTOM holes to MID hole distance

Product Code	Sizes (Inches/mm)		
	A	B	C
8389112K	11 3/4" /300	1 3/4"/45	1"/22.5
8389118K	17 3/4"/450	1 3/4"/45	1"/22.5
8389124K	23 5/8"/600	1 3/4"/45	1"/22.5
8389132K	31 1/2"/800	1 3/4"/45	1"/22.5
8389136K	35 1/2"/900	1 3/4"/45	1"/22.5
8389142K	42 1/8"/1070	1 3/4"/45	1"/22.5

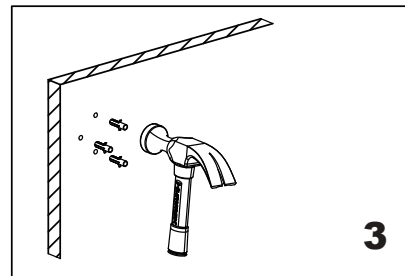
Fig.1



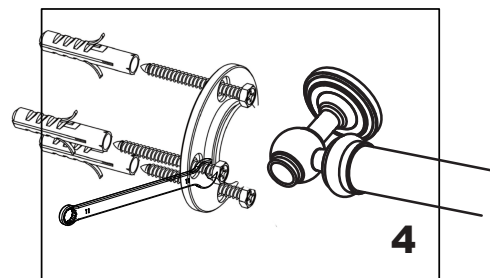
Mark (on the wall) locations of plugs through mounting plate using a pencil, refer to Fig.1



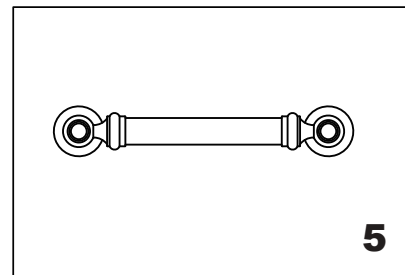
Drill 3/16" holes, make sure to keep drill level



Insert plugs into drilled holes, using a hammer to tap the plugs in, be careful not to break tile



Driver bolt nut directly into holes



Tighten the cover on the Mounting plate