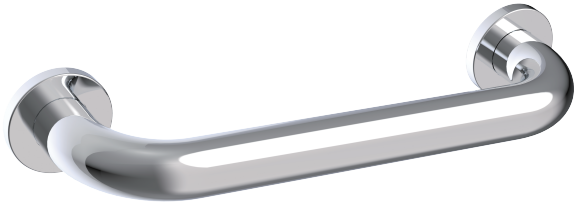




ADA Compliant



## 9500 SERIES GRAB BAR

- 12" 8289512
- 18" 8289518
- 24" 8289524
- 32" 8289532
- 36" 8289536
- 42" 8289542

**PRODUCT NAME:** GRAB BAR (1.25"/32mm)

**PRODUCT CODE:**

12"	8289512
18"	8289518
24"	8289524
32"	8289532
36"	8289536
42"	8289542

**MATERIAL:** All-brass construction

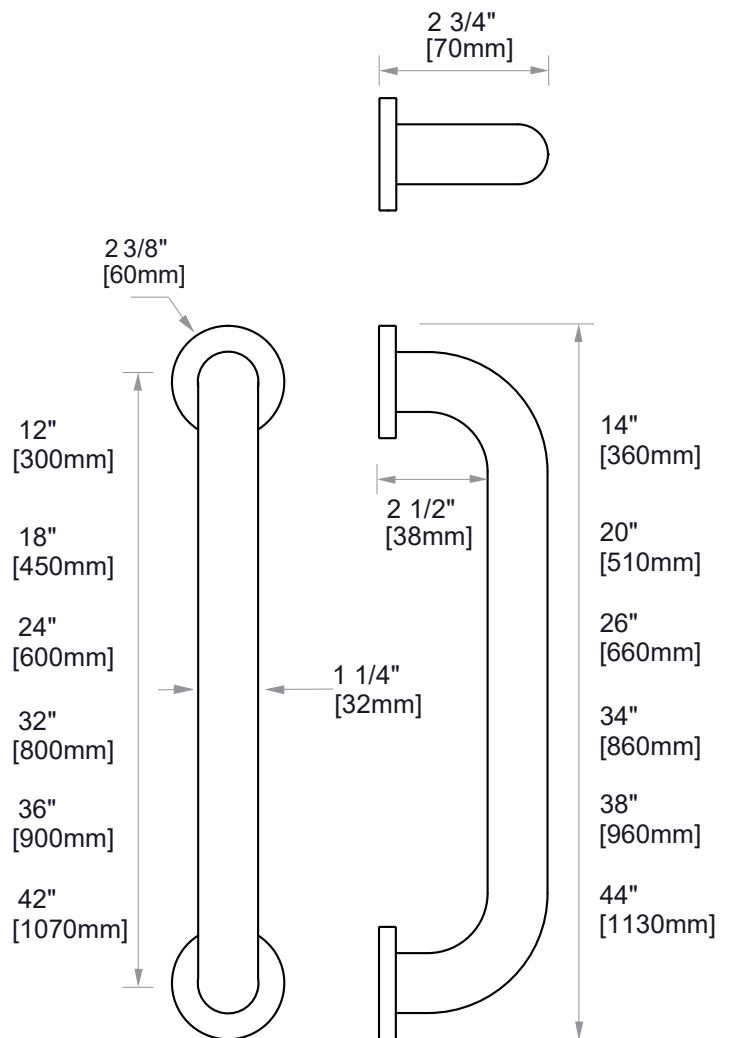
**STOCKED FINISHES:**

STOCKED FINISH	12"	18"	24"	32"	36"	42"
Polished Chrome (99)	●	●	●	●	●	●
Brushed Nickel(81)	●	●	●	●	●	●
Polished Nickel(68)	●	●	●	●	●	●
Matte Black (48)		●	●		●	●
Brushed Bronze (25) SF		●	●			

**SPECIAL FINISHES AVAILABLE:** Please see our website for full list samples

**WARRANTY:**

Lifetime Limited (Residential Use)  
One Year (Commercial Use)



NOTE: Dimensions and specifications are subject to change without notice.