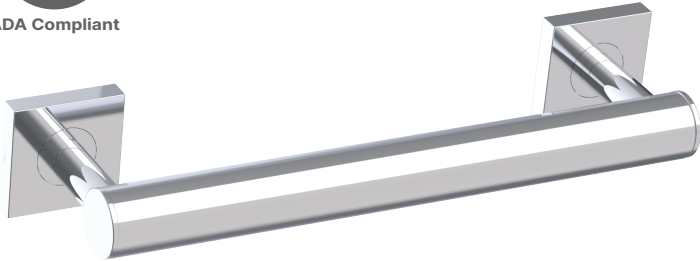


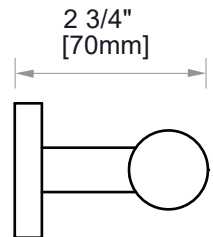


ADA Compliant



9400 SERIES GRAB BAR

- 12" 8289412
- 18" 8289418
- 24" 8289424
- 36" 8289436
- 42" 8289442



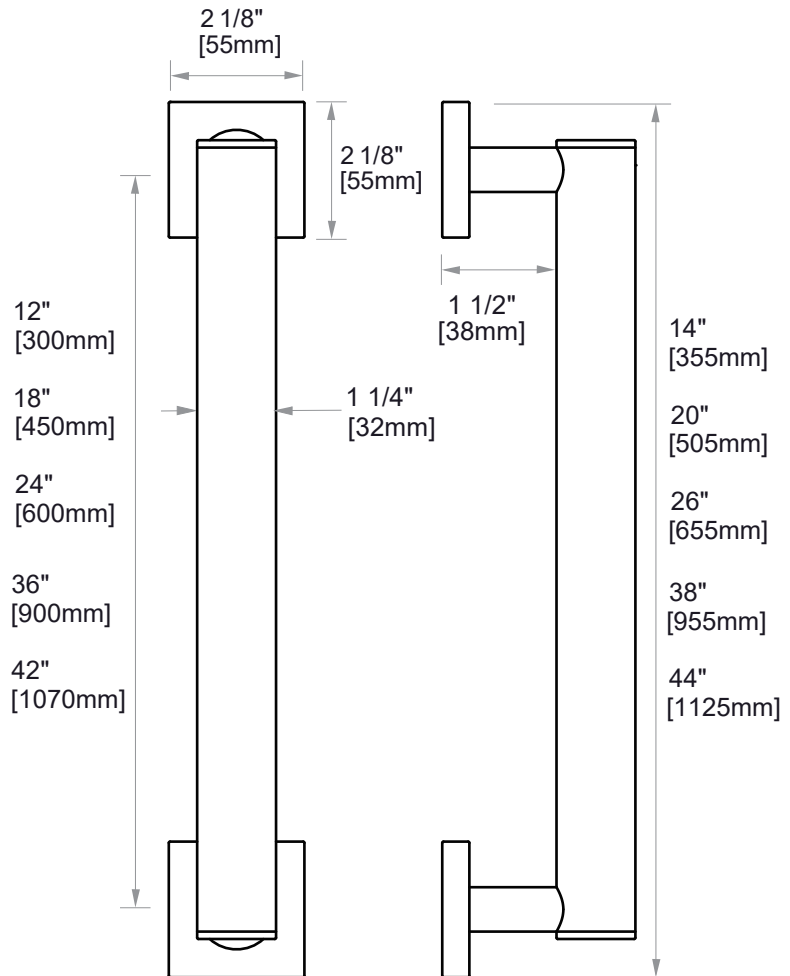
PRODUCT NAME: GRAB BAR (1.25"/32MM)

- PRODUCT CODE:**
- 12" 8289412
 - 18" 8289418
 - 24" 8289424
 - 36" 8289436
 - 42" 8289442

MATERIAL: All-brass construction

STOCKED FINISHES:

STOCKED FINISH	12"	18"	24"	36"	42"
Polished Chrome (99)	●	●	●	●	●
Brushed Nickel(81)	●	●	●	●	●
Polished Nickel(68)	●	●	●	●	●



SPECIAL FINISHES AVAILABLE: Please see our website for full list samples

WARRANTY:
Lifetime Limited (Residential Use)
One Year (Commercial Use)

NOTE: Dimensions and specifications are subject to change without notice.