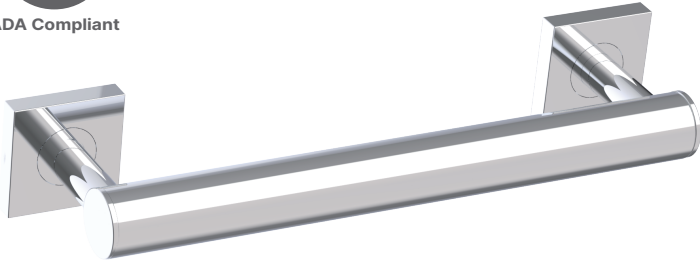




ADA Compliant



## 9400 SERIES (1.5"/35MM) GRAB BAR

- 12" 8289412-35mm
- 18" 8289418-35mm
- 24" 8289424-35mm
- 36" 8289436-35mm
- 42" 8289442-35mm

**PRODUCT NAME:** GRAB BAR (1.5"/35mm)

**PRODUCT CODE:**

12"	8289412-35mm
18"	8289418-35mm
24"	8289424-35mm
36"	8289436-35mm
42"	8289442-35mm

**MATERIAL:** All-brass construction

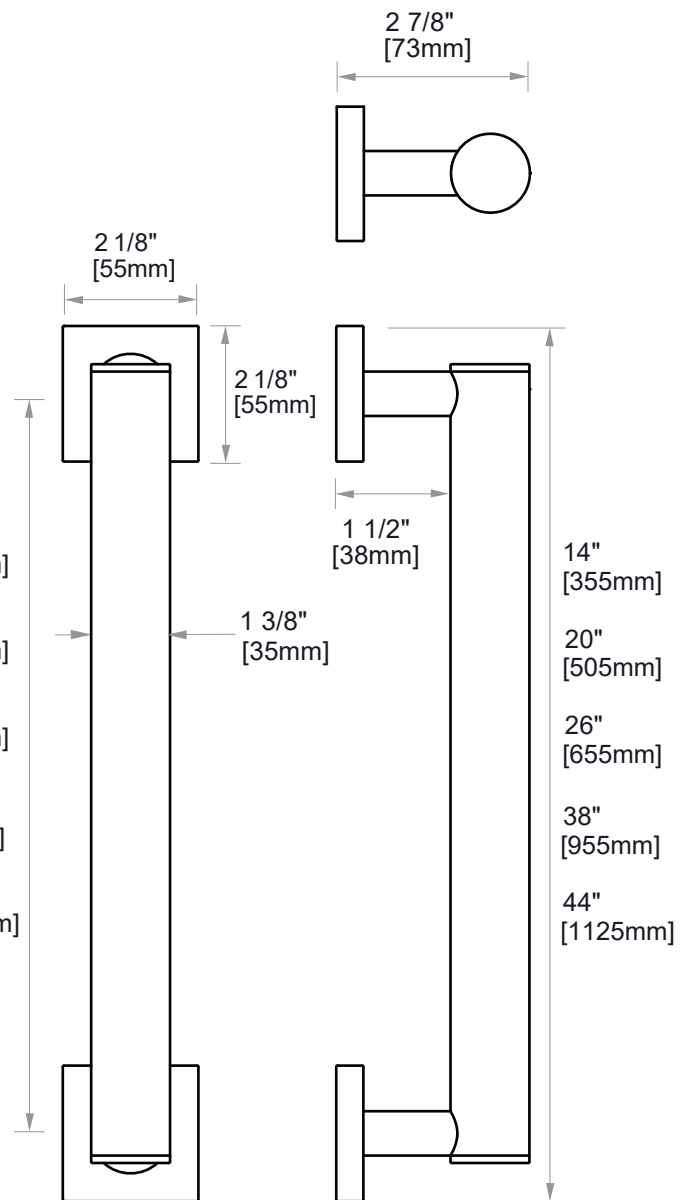
**STOCKED FINISHES:**

STOCKED FINISH	12"	18"	24"	36"	42"
Polished Chrome (99)	●	●	●	●	●
Brushed Nickel(81)	●	●	●	●	●
Polished Nickel(68)	●	●	●	●	●

**SPECIAL FINISHES AVAILABLE:** Please see our website for full list samples

**WARRANTY:**

Lifetime Limited (Residential Use)  
One Year (Commercial Use)



NOTE: Dimensions and specifications are subject to change without notice.