



ADA Compliant



9200 SERIES GRAB BAR

- 12" 8289212
- 18" 8289218
- 24" 8289224
- 36" 8289236
- 42" 8289242

PRODUCT NAME: GRAB BAR (1.25"/32MM)

PRODUCT CODE:

- 12" 8289212
- 18" 8289218
- 24" 8289224
- 36" 8289236
- 42" 8289242

MATERIAL: All-brass construction

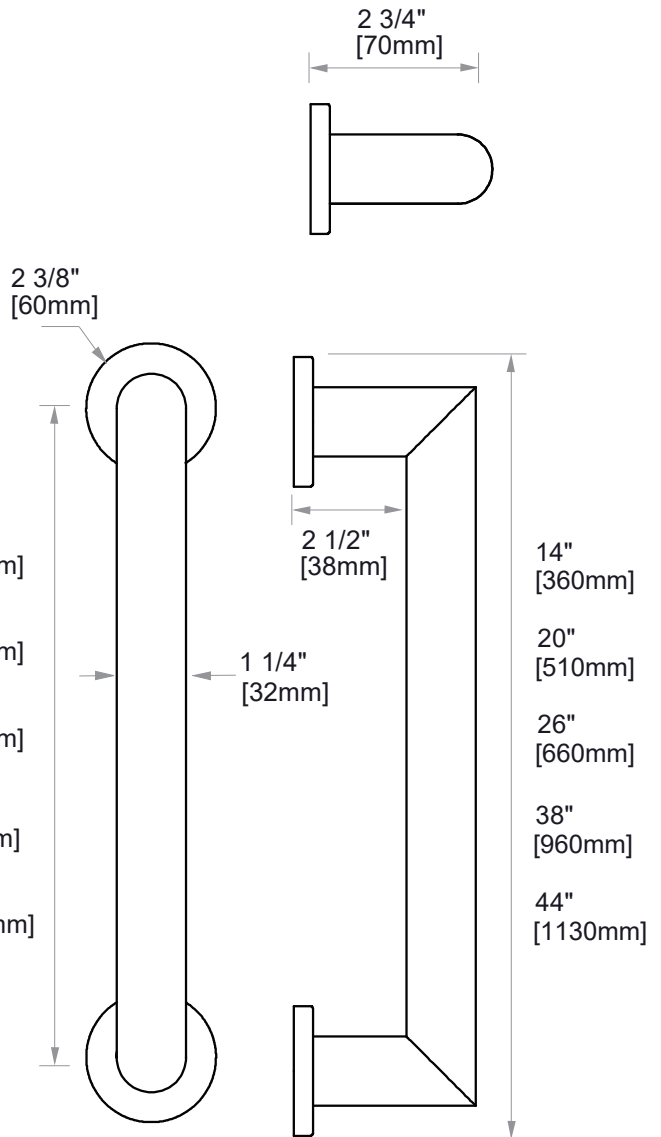
STOCKED FINISHES:

STOCKED FINISH	12"	18"	24"	36"	42"
Polished Chrome (99)	●	●	●	●	●
Brushed Nickel(81)	●	●	●	●	●
Polished Nickel(68)	●	●	●	●	●
Matte Black (48)	●	●	●	●	●
Brushed Brass (78) SF	●	●	●		
Brushed Gold (22) SF	●	●	●		
Brushed Bronze (25) SF	●	●	●		

SPECIAL FINISHES AVAILABLE: Please see our website for full list samples

WARRANTY:

Lifetime Limited (Residential Use)
One Year (Commercial Use)



NOTE: Dimensions and specifications are subject to change without notice.