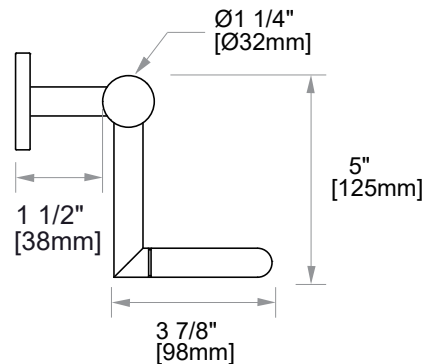
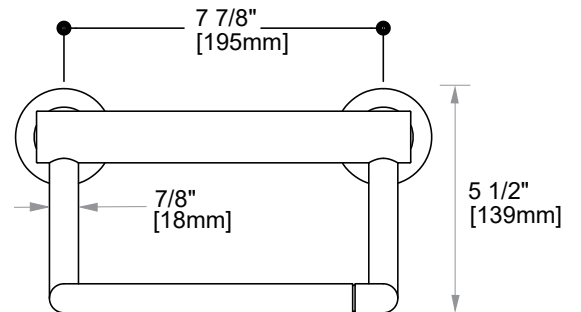
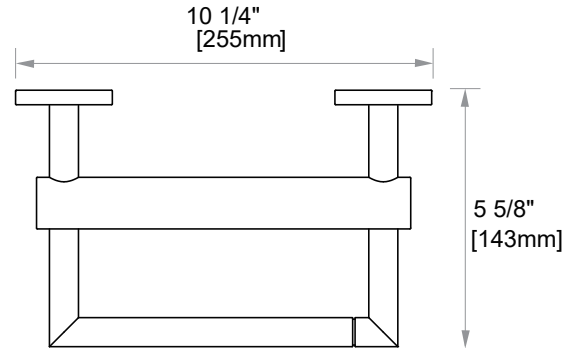




GRAB BAR SERIES

PIVOT GRAB BAR WITH TOILET PAPER HOLDER 8289120



PRODUCT NAME: PIVOT GRAB BAR W/
TOILET PAPER HOLDER

PRODUCT CODE: 8289120

MATERIAL: All-brass construction

STOCKED FINISHES:

- Polished Chrome (99)
- Brushed Nickel (81)
- Polished Nickel (68)
- Matte Black (48)

SPECIAL FINISHES AVAILABLE: Please see our website for full list samples

WARRANTY:
Lifetime Limited (Residential Use)
One Year (Commercial Use)

NOTE: Dimensions and specifications are subject to change without notice.