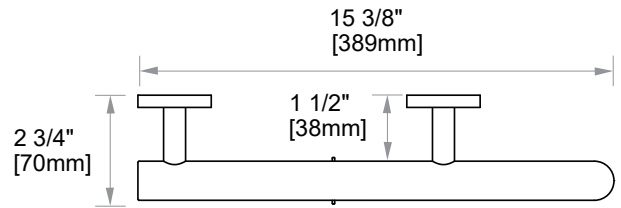




## GRAB BAR SERIES

### GRAB BAR WITH TOILET PAPER HOLDER LEFT

8289110L



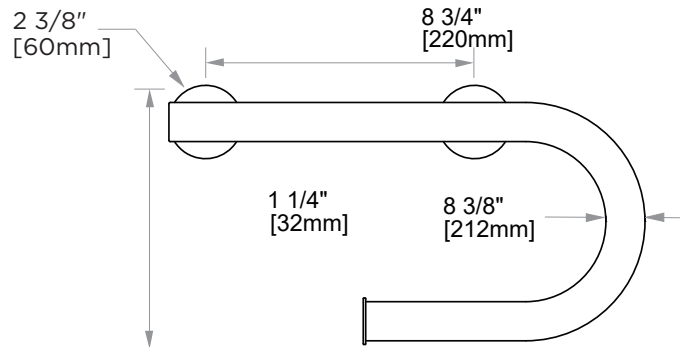
**PRODUCT NAME:** GRAB BAR W/ TOILET PAPER HOLDER-LEFT

**PRODUCT CODE:** 8289110L

**MATERIAL:** All-brass construction

**STOCKED FINISHES:**

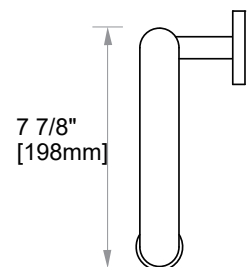
- Polished Chrome (99)
- Brushed Nickel (81)
- Polished Nickel (68)



**SPECIAL FINISHES AVAILABLE:** Please see our website for full list samples

**WARRANTY:**

Lifetime Limited (Residential Use)  
 One Year (Commercial Use)



NOTE: Dimensions and specifications are subject to change without notice.