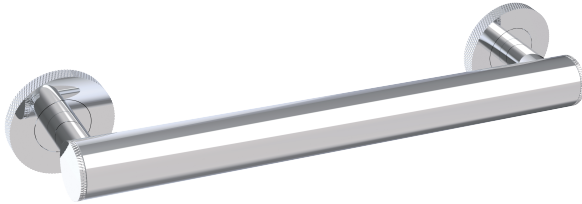




ADA Compliant



9100K2 SERIES GRAB BAR

- 12" 8289112K2
- 18" 8289118K2
- 24" 8289124K2
- 36" 8289136K2
- 42" 8289142K2

PRODUCT NAME: GRAB BAR (1.25"/32MM)

PRODUCT CODE:

12"	8289112K2
18"	8289118K2
24"	8289124K2
36"	8289136K2
42"	8289142K2

MATERIAL: All-brass construction

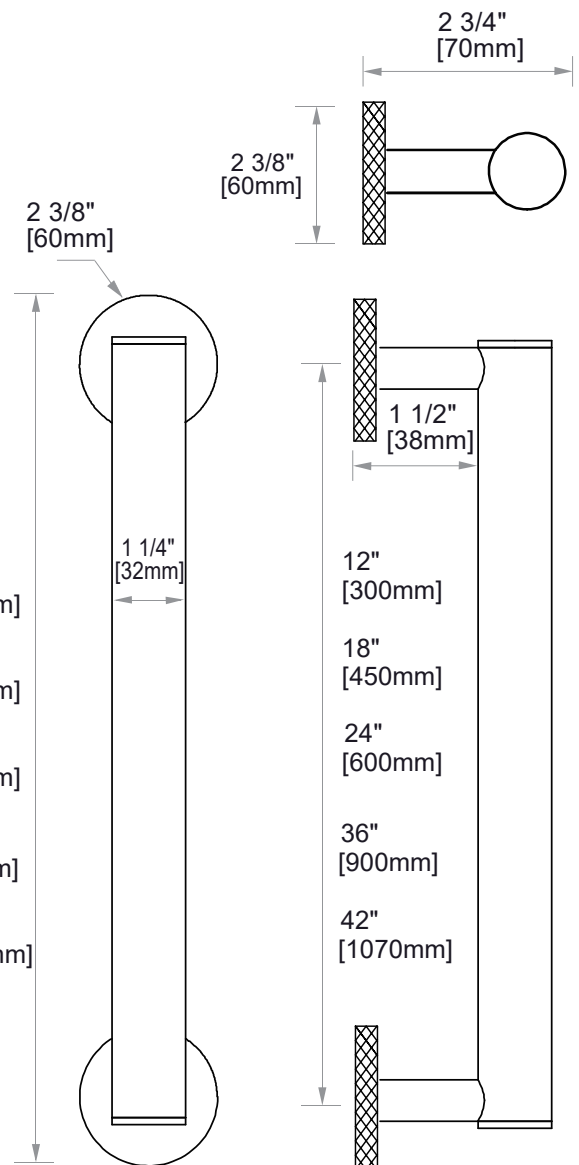
STOCKED FINISHES:

STOCKED FINISH	12"	18"	24"	36"	42"
Polished Chrome (99)	●	●	●	●	●
Brushed Nickel(81)	●	●	●	●	●
Polished Nickel(68)	●	●	●	●	●
Matte Black (48)	●	●	●	●	●
Brushed Brass (78) SF	●	●	●	●	●

SPECIAL FINISHES AVAILABLE: Please see our website for full list samples

WARRANTY:

Lifetime Limited (Residential Use)
One Year (Commercial Use)



NOTE: Dimensions and specifications are subject to change without notice.