

GLASGOW COLLECTION TOILET PAPER HOLDER 390151



PRODUCT NAME: TOILET PAPER HOLDER

PRODUCT CODE: 390151

MATERIAL: All-brass construction

KEY FEATURES: Contemporary design.
With bell-shaped anchors
and tubular elements.

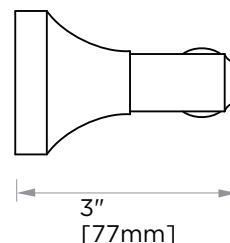
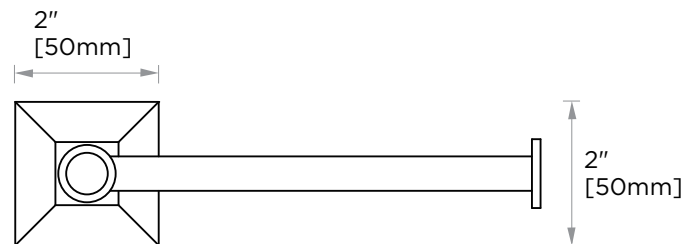
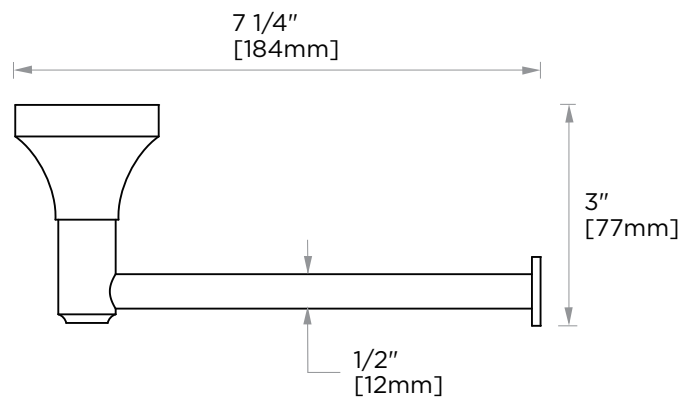
STOCKED FINISHES:

- Polished Chrome (99)
- Brushed Nickel (81)
- Polished Nickel (68)

SPECIAL FINISHES AVAILABLE: 26 options available.
Please see our website for
full list samples

WARRANTY:

Lifetime Limited (Residential Use)
One Year (Commercial Use)



NOTE: Dimensions and specifications are subject to change without notice.