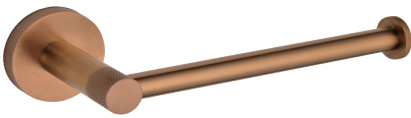


Polished Chrome finish (99)



Champagne Bronze finish(30)



**CIRCO KNURLED
COLLECTION
TOILET PAPER
HOLDER
366151**

PRODUCT NAME: TOILET PAPER HOLDER

PRODUCT CODE: 366151

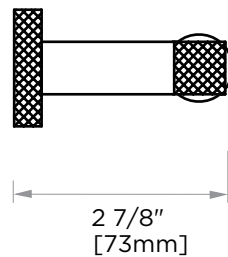
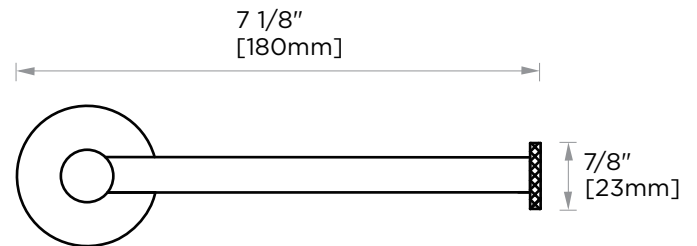
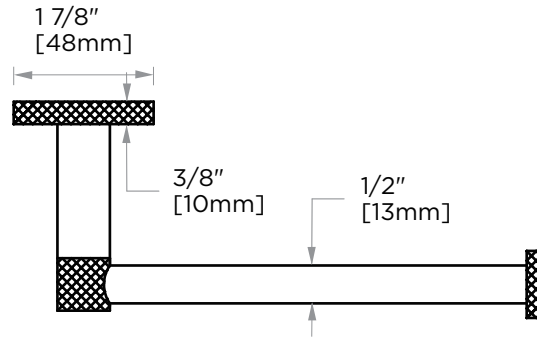
MATERIAL: All-brass construction

KEY FEATURES: Contemporary tubular design with subtle knurling.

- STOCKED FINISHES:**
- Polished Chrome (99)
 - Brushed Nickel (81)
 - Polished Nickel (68)
 - Matte Black (48)
 - Champagne Bronze (30)
 - Prosecco Bronze (35)
 - Brushed Brass (78)

SPECIAL FINISHES AVAILABLE: Please see our website for the full list samples

WARRANTY:
Lifetime Limited (Residential Use)
One Year (Commercial Use)



NOTE: Dimensions and specifications are subject to change without notice.