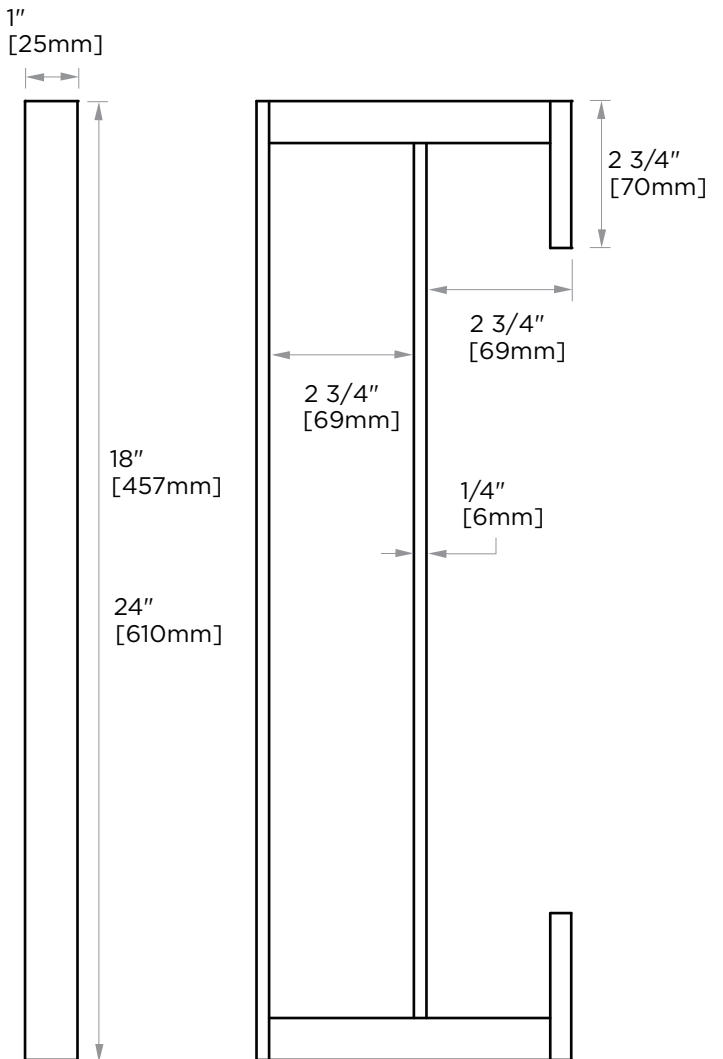
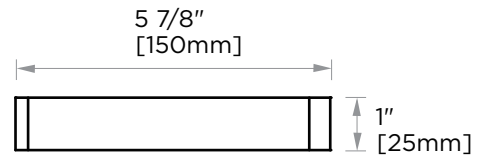
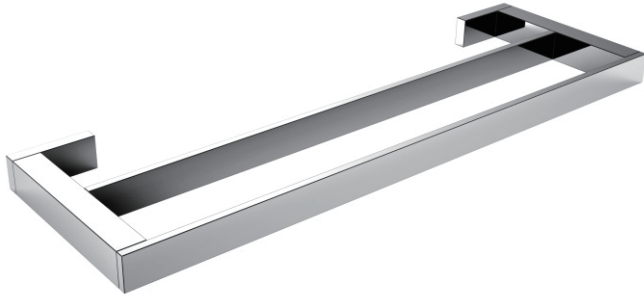


MUNICH COLLECTION DOUBLE TOWEL BAR

18" 288182
24" 288242



PRODUCT NAME: DOUBLE TOWEL BAR

PRODUCT CODE: 18" 288182
24" 288242

MATERIAL: All-brass construction

KEY FEATURES: Contemporary design.
Strong rectangular shapes,
balanced by slender linear lines.

STOCKED FINISHES:

STOCKED FINISH	18"	24"
Polished Chrome (99)		
Brushed Nickel(81)		
Polished Nickel(68)		
Matte Black (48)		

SPECIAL FINISHES AVAILABLE: Please see our website for full list samples

WARRANTY:

Lifetime Limited (Residential Use)
One Year (Commercial Use)

NOTE: Dimensions and specifications are subject to change without notice.