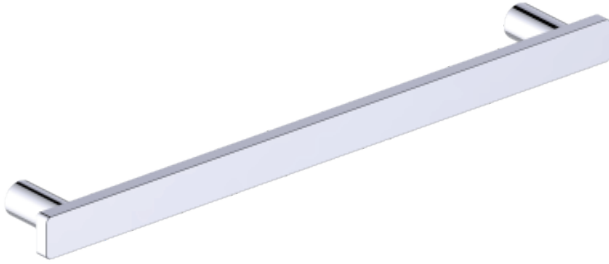


MILAN COLLECTION APPLIANCE PULLS

- 12" 254912
- 18" 254918
- 24" 254924
- 30" 254930



PRODUCT NAME: APPLIANCE PULLS

PRODUCT CODE: 12" 254912
 18" 254918
 24" 254924
 30" 254930

MATERIAL: All-brass construction

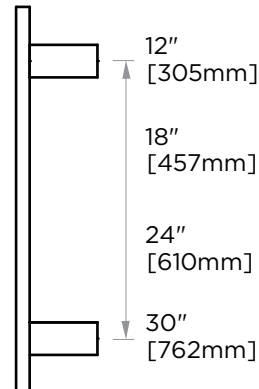
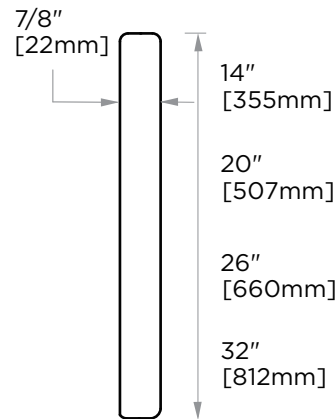
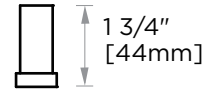
KEY FEATURES: Contemporary design. Clean linear statement combined with engineered curves.

STOCKED FINISHES:

STOCKED FINISH	12"	18"	24"	30"
Polished Chrome (99)	●	●	●	●
Brushed Nickel(81)	●	●	●	●
Polished Nickel(68)	●	●	●	●

SPECIAL FINISHES AVAILABLE: Please see our website for full list samples

WARRANTY:
 Lifetime Limited (Residential Use)
 One Year (Commercial Use)



NOTE: Dimensions and specifications are subject to change without notice.