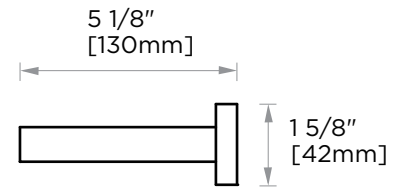


## LONDON COLLECTION DOUBLE TOWEL BAR

18" 248182  
24" 248242



**PRODUCT NAME:** DOUBLE TOWEL BAR

**PRODUCT CODE:** 18" 248182  
24" 248242

**MATERIAL:** All-brass construction

**KEY FEATURES:** Contemporary design.  
Sleek rectangular shapes offset  
by strong squared anchors.

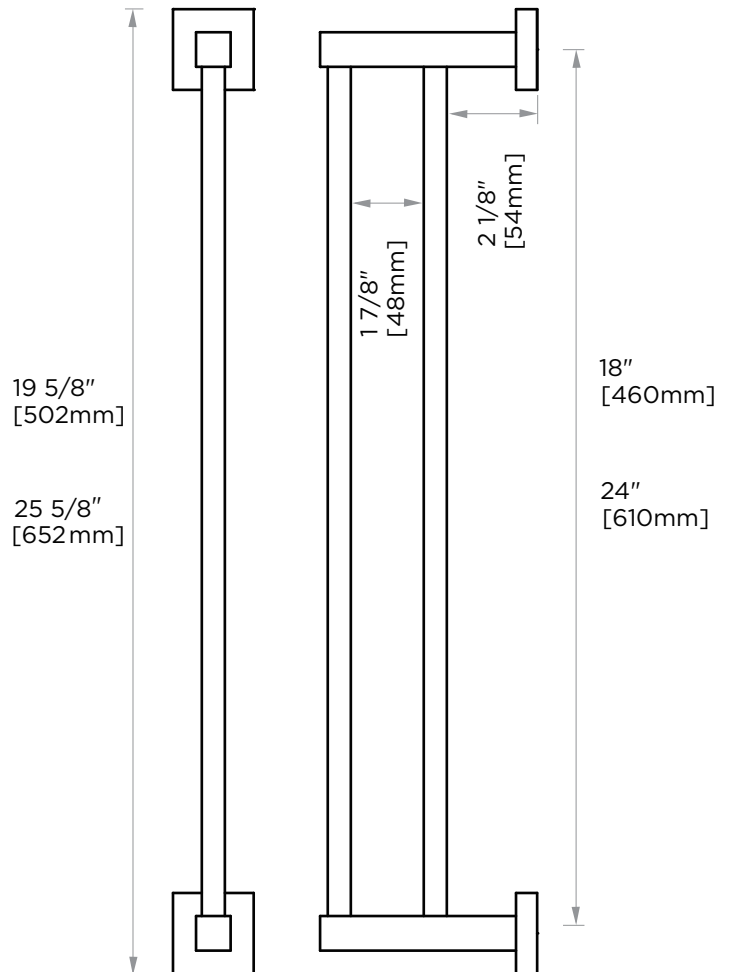
**STOCKED FINISHES:**

STOCKED FINISH	18"	24"
● Polished Chrome (99)	●	●
● Brushed Nickel(81)	●	●
● Polished Nickel(68)	●	●
● Matte Black(48)		●

**SPECIAL FINISHES AVAILABLE:** Please see our website for full list samples

**WARRANTY:**

Lifetime Limited (Residential Use)  
One Year (Commercial Use)



NOTE: Dimensions and specifications are subject to change without notice.