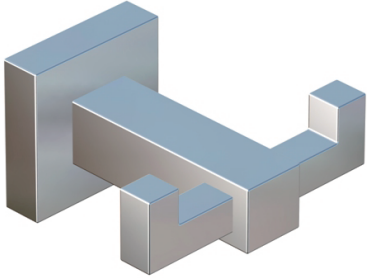


LONDON COLLECTION DOUBLE PRONG ROBE HOOK 248132



PRODUCT NAME: DOUBLE PRONG ROBE HOOK

PRODUCT CODE: 248132

MATERIAL: All-brass construction

KEY FEATURES: Contemporary design.
Sleek rectangular shapes offset
by strong squared anchors.

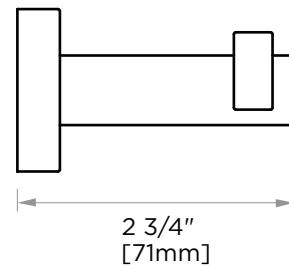
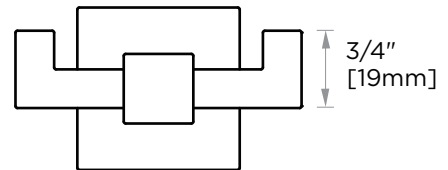
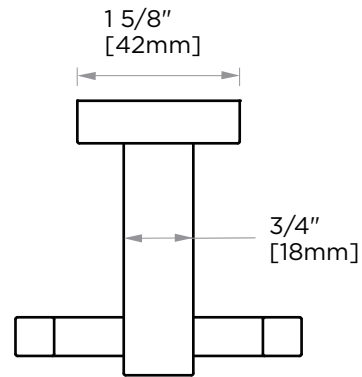
STOCKED FINISHES:

- Polished Chrome (99)
- Brushed Nickel (81)
- Polished Nickel (68)
- Matte Black (48)

SPECIAL FINISHES AVAILABLE: Please see our website for full list samples

WARRANTY:

Lifetime Limited (Residential Use)
One Year (Commercial Use)



NOTE: Dimensions and specifications are subject to change without notice.