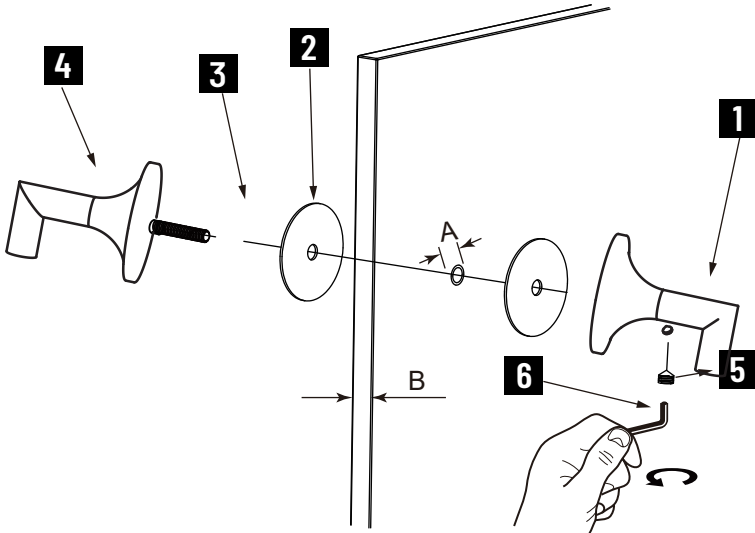
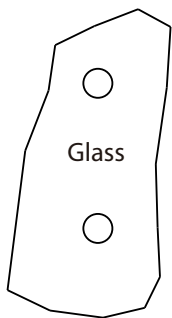


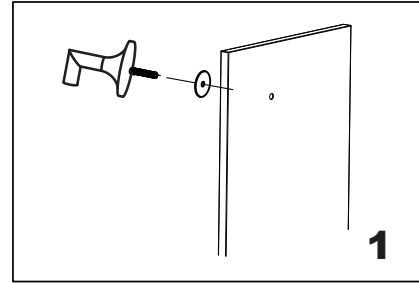
PARIS COLLECTION DOUBLE SDH KNOB 1307502



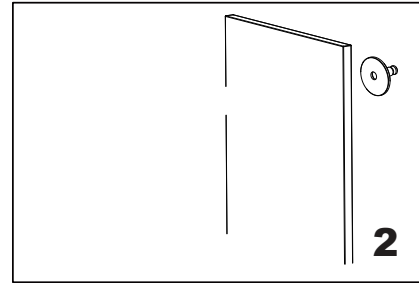
- 1.Knob x 1
- 2.Clear Gasket x 2
- 3.Fixing Bracket x 1
- 4.End Cap x 1
- 5.Set Screw M5 x 1
- 6.Allen Key 2.5mm x 1



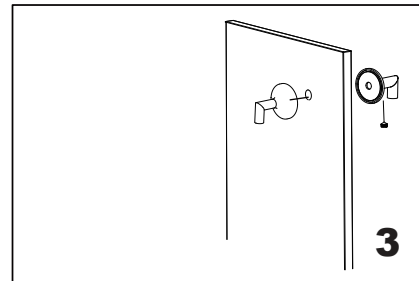
GLASS INFO		
A	1/2"(12mm)	Glass Hole Diameter
B	6-12mm	Glass Thickness



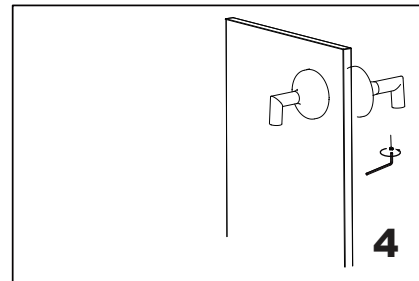
Install the knob (bolt) through the glass hole, make sure the rubber gaskets are between knob&glass.



Screw in the fixing bracket into the knob bolt.



Add the end cap on the fixing bracket,make sure the set screw hole in the bottom.



Fix the set screw on the end cap,tighten it to avoid loose from fixing brackets.