

THAMES COLLECTION

KTTM - 1225500

KTTM - 1750500



FINISHES AND SIZES

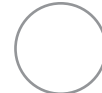
Available in 2 sizes

In Stock: Polished Chrome

Special Finishes: White, Brushed Nickel, Polished Nickel
Polished Nickel (approx 4-6 weeks)



Polished Chrome



White



Brushed Nickel



Polished Nickel

GUARANTEE

Warmer 10 Years, Element 5 Years

INCLUDED WITH EACH TOWEL WARMER

3' Grounded Power Cord

Hard Wire Install Kit

LEVITON 24ht Programmable Timer with 3 optional Cover Plates (white, ivory, and light almond)



SEE OVER FOR SPECIFICATION DRAWINGS

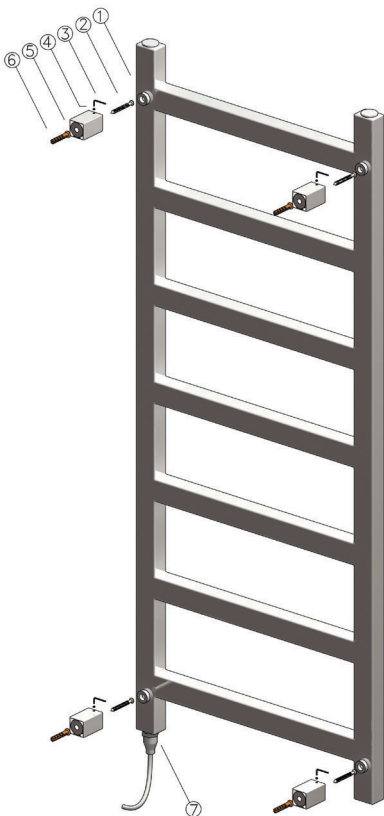
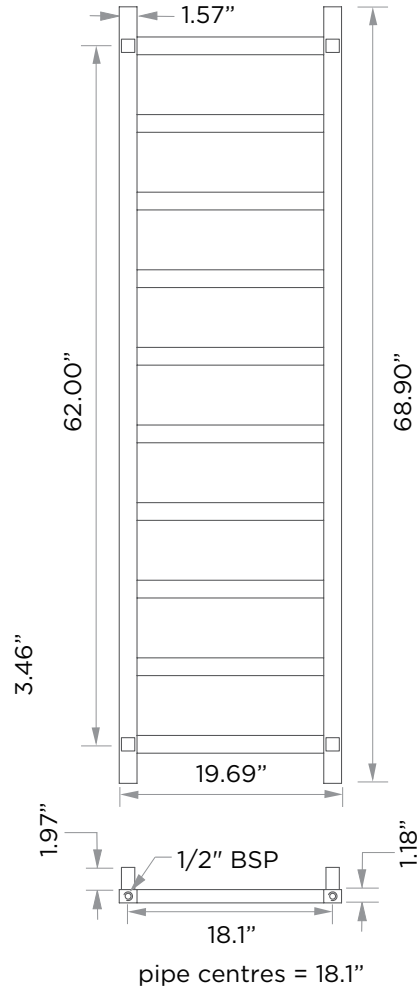
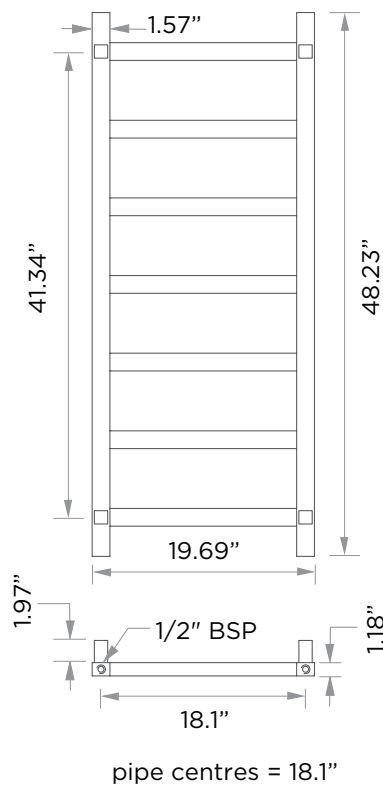


Product Code	Finishes	Sizes (mm)		Sizes (Inches)		Output (Watts/BTU)	Element Size	Number of Elements
		Height	Width	Height	Width			
KTTM-1225500-CH	PC, W, BN, PN	1225	500	48.23	19.69	492 / 1683	200W	7
KTTM-1750500-BN	PC, W, BN, PN	1750	500	68.90	19.69	828 / 2832	400W	10

Our Towel Warmers are Oiled Filled.



Note: Dimensions and specifications are subject to change without notice.



- 1) Solid Fixing Lug
- 2) Wall Screw
- 3) Allen Key
- 4) Grub Screw
- 5) Wall Support
- 6) Wall Plug
- 7) Electrical Element



HARDWARE KIT SPECIFICATIONS

