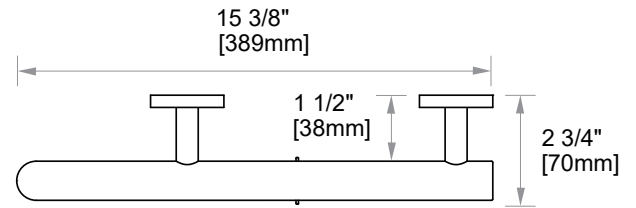




## GRAB BARS SERIES

### GRAB BAR WITH PAPER HOLDER 8289110



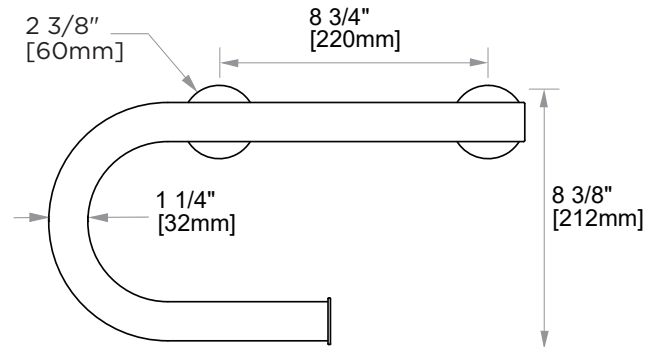
**PRODUCT NAME:** GRAB BAR W/PAPER HOLDER

**PRODUCT CODE:** 8289110

**MATERIAL:** All-brass construction

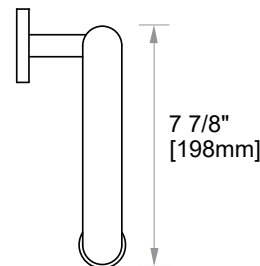
**STOCKED FINISHES:**

- Polished Chrome (99)
- Brushed Nickel (81)
- Polished Nickel (68)



**SPECIAL FINISHES AVAILABLE:** Please see our website for full list samples

**WARRANTY:**  
 Lifetime Limited (Residential Use)  
 One Year (Commercial Use)



NOTE: Dimensions and specifications are subject to change without notice.