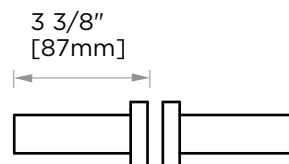
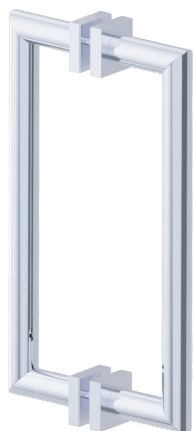


MADRID COLLECTION

DOUBLE SHOWER DOOR HANDLE 12"

2627812



PRODUCT NAME: DOUBLE SHOWER DOOR HANDLE 12"

PRODUCT CODE: 2627812

MATERIAL: All-brass construction

KEY FEATURES: Contemporary design. Simple and straight forward lines. Strong linear silhouette.

STOCKED FINISHES:

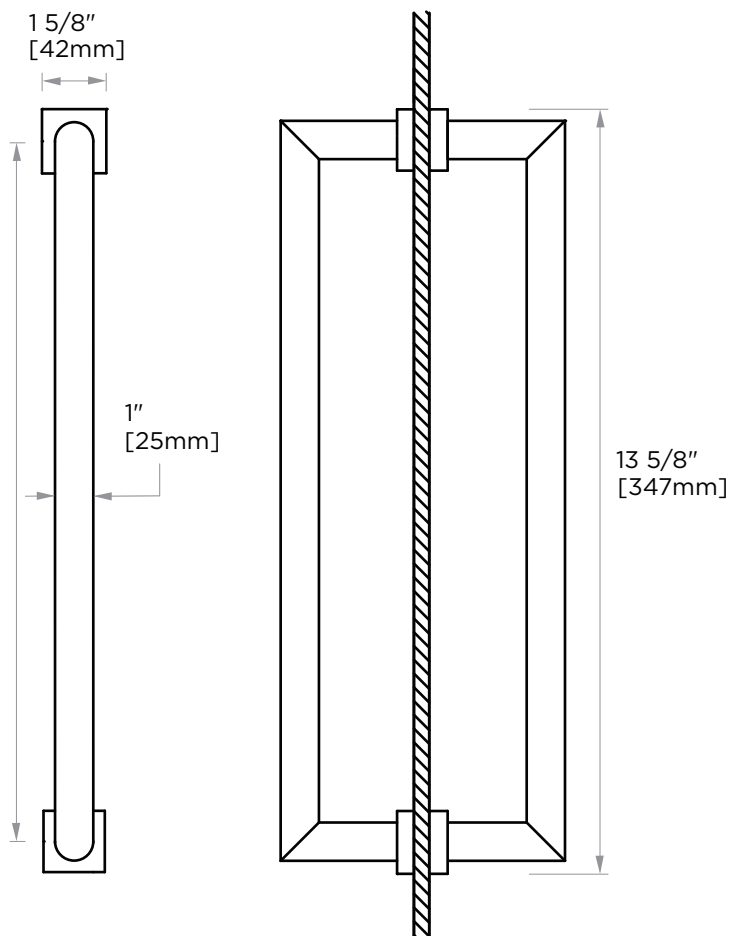
- Polished Chrome (99)
- Brushed Nickel (81)
- Polished Nickel (68)
- Matte Black (48)

12" [305mm]

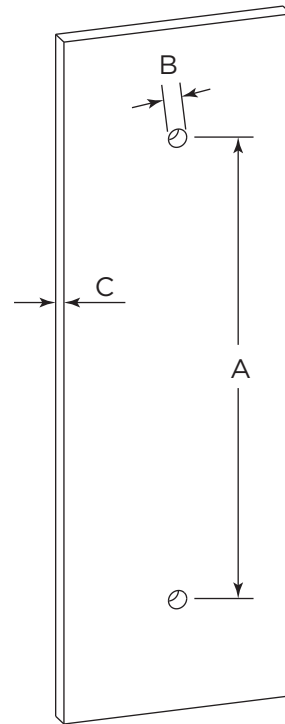
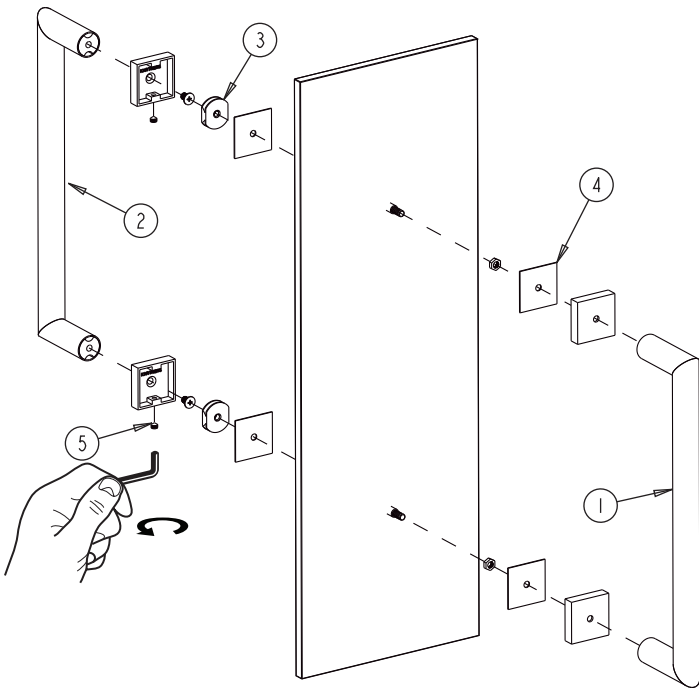
SPECIAL FINISHES AVAILABLE: 26 options available. Please see our website for full list samples

WARRANTY:

Lifetime Limited (Residential Use)
One Year (Commercial Use)




NOTE: Dimensions and specifications are subject to change without notice.



HANDLES INFO

Components Included		
①	Handle A	X1
②	Handle B	X1
③	Fixing Bracket	X2
④	Rubber Gasket	X4
⑤	Set Screw M6	X2

Mounting Kits Included

	X1	Allen Key
---	----	-----------

GLASS INFO

Glass Hole C-C Distance		
A	8"/203mm	8" Shower Door Handle
	12"/305mm	12" Shower Door Handle
	18"/457mm	18" Shower Door Handle
	24"/610mm	24" Shower Door Handle
B	1/2"(12mm)	Glass Hole Diameter
C	8-12mm	Glass Thickness

* Can be used with extension kit for thicker doors

NOTE: Dimensions and specifications are subject to change without notice.