

CAPRI COLLECTION

Tumbler Holder
Model 353660



FEATURES

- Modern styling
- Durable finishes
- Consealed installation

WARRANTY

- Lifetime limited (Residential use)
- One Year (Commercial use)

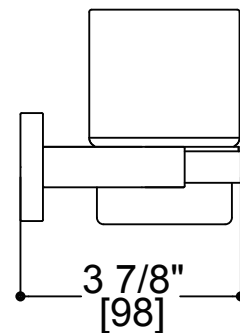
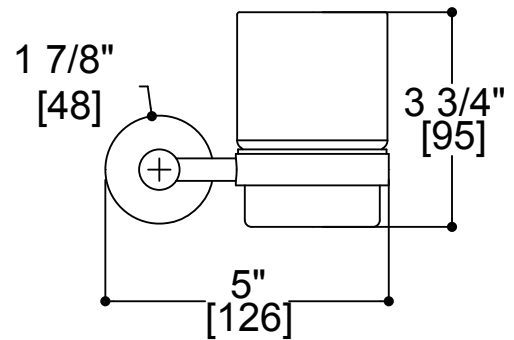
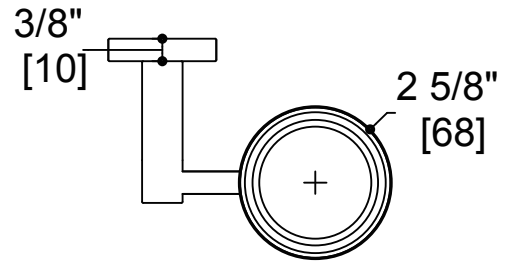
FINISHES

- | | |
|------------------------|---------------------|
| Polished Chrome (99) | Brushed Chrome (85) |
| Polished Nickel (68) | Brushed Nickel (81) |
| Antique Nickel (91) | Polished Gold (12) |
| Brushed Gold (22) | |
| Brushed Copper (65) | Antique Copper (55) |
| Polished Brass (72) | Antique Brass (69) |
| Antique Black (45) | Flash Black (40) |
| Oil Rubbed Bronze (21) | |

MOUNTING HARDWARE

- Mounting kit included

PRODUCT SPECIFICATION SHEET



Note: Dimensions and specifications are subject to change without notice.