

## OSLO COLLECTION

Towel Ring

Item # 144463



### FEATURES

- Modern styling
- Durable finishes
- Concealed installation

### WARRANTY

- Lifetime limited (Residential use)
- One Year (Commercial use)

### FINISHES STOCKED IN

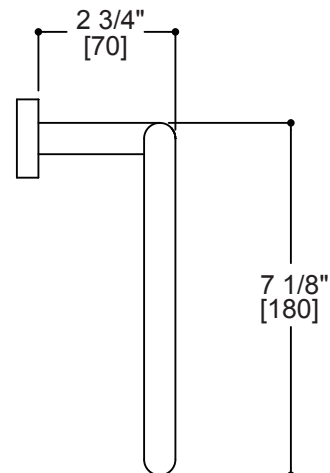
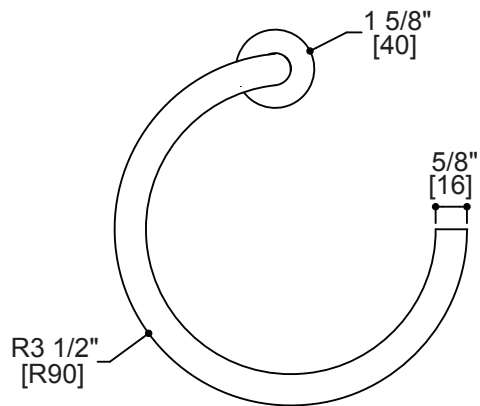
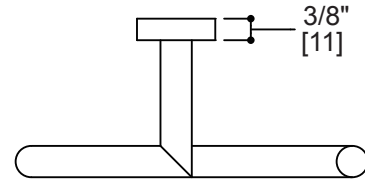
- |                      |                     |
|----------------------|---------------------|
| Polished Chrome (99) | Brushed Nickel (81) |
| Polished Nickel (68) | Matte Black (48)    |

### SPECIAL FINISHES AVAILABLE

- |                       |                        |
|-----------------------|------------------------|
| Antique Nickel (91)   | Polished Gold (12)     |
| Brushed Gold (22)     | Brushed Brass (78)     |
| Black Nickel (40)     | Antique Copper (55)    |
| Polished Brass (72)   | Antique Brass (69)     |
| Brushed Chrome (85)   | Oil Rubbed Bronze (21) |
| Brushed Bronze (25)   | Titanium(33)           |
| Glossy White (62)     | Unlacquered brass (75) |
| Matte White (26)      | New World Bronze (80)  |
| Brushed Copper (65)   | Antique Black (45)     |
| Champagne Bronze (30) |                        |

### MOUNTING HARDWARE

- Mounting kit included



Note: Dimensions and specifications are subject to change without notice.